

GPS Vehicle tracker (GPS+GSM+SMS/GPRS)

GT06 User Manual (Version 3.2)



Thank you for purchasing the tracker. This manual shows how to operate the device smoothly and correctly. Make sure to read this manual carefully before using this product. Please note that specification and information are subject to changes without prior notice in this manual. Any change will be integrated in the latest release. The manufacturer assumes no responsibility for any errors or omissions in this document.

1. Summary

Working Based on existing GSM/GPRS network and GPS satellites, this product can locate and monitor any remote targets by SMS or internet.

Overview of the characteristics:

1. GSM 850/900/1800/1900MHZ.
2. GPS position.
3. Auto set APN.
4. 300Mah Battery inside, Power-Cut alarm.
5. Motion detect, save GPRS flow.
6. SOS Alarm.
7. Shock Alarm.
8. ACC Alarm.
9. Speed Alarm
10. Voice Surveillance.
11. Voltage DC 9-50V.
12. Enginee Cut off.

2. Accessories:

Power line:



Relay:



Microphone:



SOS line:



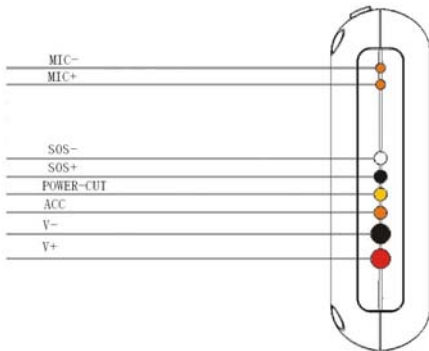
Manual



3. Specs

- 1) .GSM: 850/900/1800/1900MHZ
- 2) .GPRS: Class12, TCP/IP
- 3) .Working Voltage: 9-50V DC
- 4) .Working current: $\approx 22\text{mA}$ (12VDC)
- 5) .Working current: $\approx 12\text{mA}$ (24VDC)
- 6) .GPS locating time: Cold start $\approx 38\text{s}$ (Open sky)
Warm start $\approx 32\text{s}$
Hot start $\approx 2\text{s}$ (Open sky)
- 7) .GPS Precision: 10m (2D RM)
- 8) .Working temperature: $-20^{\circ}\text{C} \sim +70^{\circ}\text{C}$
- 9) .Working humidity: 20%~80%RH
- 10) .Measurement: 98 (L) \times 52 (W) \times 16.5 (H) mm

4. Wire defined



5. Device status indicators

- 5.1** Connect DC 9-50V power supply and the red LED will light continuously.
- 5.2** The blue LED light continuously when searching the GPS signals. When GPS position, the blue LED flashing.
- 5.3** The intermediate green LED (GSM signal state)
GSM signal is normal, green LED flashing. No GSM signal, the blue LED light continuously.

All LED will turn off after 5 minutes. When there is a new call, the LED will relight and turn off 5 minutes later.

6. Installation

6.1 Prepare for installation

- 6.11** Product Check. Open the packing box and check the device 's model and accessories. If the model is wrong or the accessories not complete, please contact the dealer.
- 6.12** Choose SIM card. Please insert a SIM card to the device. Please take dealer' s advice as reference.
- 6.13** SIM card installation. Discharge the cover of the device and uncover the SIM card holder. Then insert the SIM card and cover SIM card holder (as follows).



- 6.14** Open the cover, Push the switch to make the battery working. Then Put back the front cover and screw it up.
- 6.15** Connect the device to the 9-50V power supply.
- 6.16** Install the device in the hidden place of the car;
The SIM card must be with GPRS function and enough deposit. If your SIM card need input PIN when power on, please cancel it.

6.2 Installation

The GPS tracker must be installed under professional personnel.

Note:

- 1) Please install the device in the hidden place as followings:
Under Front windshield;
In the front instrument panel;
Under back windshield;
- 2) Avoid being placed with signal radiators like reverse sensor ;
- 3) The device has GSM antenna and GPS antenna inside. Please ensure the

receiving side of the device is face up and without metal cover.

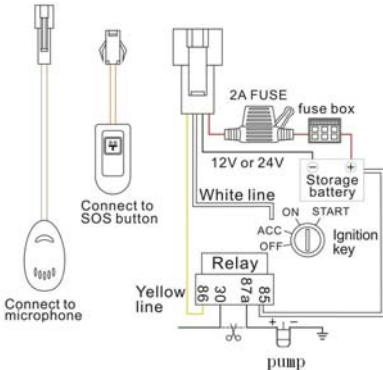
Note: The metal cover will lessen the receiving of GPS signals.6. The device connecting requirements.

7. Device wiring requirements

7.1 The device power supply is DC 9–50V. The red line is positive pole while the black line is negative pole.

7.2 The negative pole of power supply connects with ground or the metals. Please do not connect with other ground lines.

7.3 When finishing the power supply wire connection, please make the plug of power supply to the device.



8. The Device Working

8.1 Power on: Connecting to the power. Then the three LED indicators will light. The

device will upload the data to the online platform (the default interval of uploading data is 15seconds). When the car is in static state for a long time, the device will be in energy saving mode and it will be more smart and precise.

8.2 Power off: Pull off the power plug then power off the device.

9. User Settings

9.1 SMS Commands instruction

1) Center Number		
Text command	Parameter	Sample
CENTER Add	710#number#	710#13500135000#
	711#number#	711#13800138000#
CENTER Del	D01#	D01#
	D02#	D02#
Command Description	<p>1) Center number can control the oil and power and resume factory settings</p> <p>2) Center number can receive the call and text of vibration alarm and over speeding alarm.</p> <p>3) SIM must display the income call number to control</p>	

	<p>oil and power.</p> <p>4) Only 2 number can be center number.</p> <p>5) Change center number must resend the command.</p> <p>6) Add new center number by CETNER, A, and delete by CENTER, D</p>
Command	Successful Setting: Add admin account 1 OK!
Feedback	

2) View Center Number		
Text command	Parameter	Sample
View	901#	901#
Command	This directive is used to view Device Manager number.	
Description		
Command	Successful Setting: Admin1:	
Feedback	Admin2:	

3) Authorized Number Set

Text command	Parameter	Sample
Authorized Add	101# number # 102# number # 103# number #	1: 101#13800138000# 2: 102#12345678912# 3: 103#12345678912#
Authorized Del	D11# D12# D13#	D11# D12# D13#
Command Description	1) Authorization number for SMS control oil. 2) only three numbers to set the authorization number 3) change the authorization number needs to delete the previous number	
Command Feedback	Successful Setting: Add Authorization account 1 OK!	

4) View Authorized Number

Text command	Parameter	Sample
View authorized	C10#	C10#
Command Description	This directive is used to view the equipment authorization number	
Command Feedback	Successful Setting: Authorization 1: Authorization 2: Authorization 3:	

5) APN Setting

Text command	Parameter	Sample
APN Setting	802#username#pass	1: 802#intenet#123#123#

	word]	2: 802#internet#
Command Description	<p>APN differs according to the local telecom operators.</p> <p>For example: APN request password, please refer to Sample 1, and Sample 2 for no password.</p>	
Command Feedback	<p>Successful Setting: SET APN OK!</p>	

6) Set Server		
Text command	Parameter	Sample
SERVER Parameter	803#SERVER # port#	803#222. 217. 240. 243#8011#
View SERVER	CIP#	1) CIP#
Command Description	<p>Change the IP and port when move to a new server</p> <p>port: 10⁶5535</p> <p>1 is domain and 0 is IP;</p>	
Command	<p>Successful Setting: set IP OK!</p>	

Feedback	
----------	--

7)Moving Time Interval		
Text command	Parameter	Sample
TIMEER		
Parameter setting	730#uploading interval#	730#20#
Command Description	Time scope: 0, 10~60 seconds; 0,no data uploading; 10~60,means time interval; the default value is 15 seconds!	
Command Feedback	Successful Setting; SET TIMER OK!	

8)Static Time Interval		
Text command	Parameter	Sample
STATIC	SUP# time interval#	SUP#5#

Command Description	Timescope: 1~60 minutes; The device has 3D transmission and the default time interval are 5 minutes.
Command Feedback	Successful Setting: SET STATIC TIME OK!

9) Cancel the continuous upload		
Text command	Parameter	Sample
NUP	NUP#	NUP#
Command Description	<p>This command is used to cancel sending data to the platform</p> <p>If need again to restore the upload , you need to send TIMEER Parameter setting.</p>	
Command Feedback	SET OK!	

10)Oil-Cut		
Text command	Parameter	Sample
RELAY Parameter1	222#	222# cut off oil and power
RELAY Parameter2	333#	333# recover oil and power
Command Description	1)RELAY control the start and closeness of the relay 2) Only the center number can operate. 3) the device only cut off the oil circuit on the condition of the driving speed below 20KM/H or in static state. 4)When send the command, the device will reply “please waiting “When the vehicle speed is over 20KM/H, the device will cut off the oil or the power when the speed below 20KM/H.	
Command Feedback	Successful Setting: Fuel cut has already been completed OK!	

11) GMT

Text command	Parameter	Sample
GMT	801#location, time#	801#E8#
Command Description	The default time zone is Beijing time. If time zone need revised, please operate according to the above command.	
Command Feedback	Successful Setting: Set time zone ok!	

12)Vibration Alarm		
Text command	Parameter	Sample
Open Vibration Alarm	911#	911#
VIBRATION Parameter	123#sensitivity#, alarming way#	1) 123#2#3#
Set into vibration alarm time	V123#2#	1) V123#2# 2) V123#1#

Cancel vibration alarm	456#	456#
Command Description	<p>the sensitivity value of the vibration is from 1 to 5, 1 is the most sensitive and 5 is close.</p> <p>Alarming ways: 1, calling 2, texting, 3 calling and texting.</p> <p>Must set the center number and receiving number.</p>	
Command Feedback	set vibration alarm level, OK!	

13) Speed Alarm		
Text command	Parameter	Sample
SPEEDING	SSA#120# alarming	1) SSA#120#
Parameter	way#	2) SSA#150#3#
Command Description	<p>The speed scope is from 60-220, if the speed is no this scope, the alarm is off.</p> <p>Alarming : 1, calling 2, texting, 3 calling and texting.</p>	

	Must set the center number and receiving number.
Command	Successful Setting: set speeding alarm, OK!
Feedback	

14)ACC Alarm		
Text command	Parameter	Sample
Open ACC Alarm	840#1#	840#1#
Close ACC ALARM	840#0#	
Close ACC ALARM	<p>The speed scope is form 60-220, if the speed is no this cope, the alarm is off.</p> <p>Alarming : 1, calling 2, texting, 3 calling and texting.</p> <p>Must set the center number and receiving number.</p>	
Command	Successful Setting: set speeding alarm, OK!	
Feedback		

15) Reset		
Text command	Parameter	Sample
RESET	930#	930#
Command Description	Reset the device	
Command Feedback	Successful Setting: Reset system, ok!	

16) Factory		
Text command	Parameter	Sample
Parameter	940#	940#
Command Description	Restore the factory setting Only center number can initial this function Factory setting will recover to the original setting	
Command	Successful Setting: FACTORY OK!	

Feedback	
----------	--

17)Language Setting		
Text command	Parameter	Sample
LANG	LANG1#	LANG1# 1:CHINESE,
Parameter	LANGO#	LANGO#: ENGLISH
Command Description	: When check the location, it will reply the Chinese location in Chinese language setting; while reply the URL link when in English language setting.	
Command Feedback	Successful Setting: SET LANG OK!	

18)Position		
Text command	Parameter	Sample
command	988#	988#
Command	Check the longitude and altitude and other	

Description	information of the device
Command	Reply with longitude and altitude, speed and IMEL.
Feedback	

19) Google Link		
Text command	Parameter	Sample
command	666#	666#
Command	Check the location link of Google map	
Description		
Command	<Datetime:12-07-05 13:21:30>	
Feedback	http://maps.google.com/maps?q=N22.540885,E113.95265	

20) Version		
Text command	Parameter	Sample
VERSION	V00#	V00#
Command	The command is to check the software version	

Description	
Command	VERSION:XXXX
Feedback	BUILD:2012-07-05 10:12

21) Param Check		
Text command	Parameter	Sample
PARAM	886#	886#
Command Description	The command is to check the settings and the default parameter.	
Command Feedback	IMEI:351190012535936 APN : cmnet IP:IP and port TIMER: moving uploading interval STATIC: static uploading interval CENTER: center number LANG: language(CN/EN)	

	GMT: time zone (E/W8)
--	-----------------------

22) Status Check		
Text command	Parameter	Sample
STATUS	902#	902#
Command Description	The command is designed for checking the device' s working status.	
Command Feedback	External power:ON/OFF GSM Signal:HIGH/MIDDLE/LOW GPS:FIXED/UNFIXED RELAYER:DISABLE/ENABLE Vibrate Warning:ON/OFF Pause:ON/OFF	

23) Monitor (Voice Surveillance)		
Text command	Parameter	Sample

SSS#	SSS#	SSS#
Command	Using Command Send this command to the tracker' s	
Description	number, the tracker will call back to admin number.	
Command		
Feedback		

10. Trouble shooting

10.1 The device is not online or offline on the web platform.

10.1.1 First, please check the three LED working state. If possible. You can call the device' s number to check.

- If not connected, the device is out of signal. If the GSM signals cannot reach your location, please drive to the open sky.
- If reminding the device SIM card is out of deposit, please make deposit by the telecom operator.
- If you can connect to the device when calling, the SIM card has deposited and please check with your operator for GPRS function. You also can check by searching the internet on your mobile phone.
- If reminding the device is power off, please turn back the device and proceed as followings:
 - a) Check if the red LED is in constant glow. If the LED is dark, please check the power connecting. If fuse is broken, please return the device to the seller.

b) If the green GSM LED is not in constant glow, please check the installation of SIM card.

10.1.2 Please check the offline area in order to judge if the network problem of operators.

10.2 When GPS cannot receive the signals, please drive in the open sky and ensure there is no metal thins on the device.

10.3 When the device cannot receive the GSM signal, please check the SIM card installation. If the GSM signals cannot reach your location (such as the basement), please drive to the open sky.